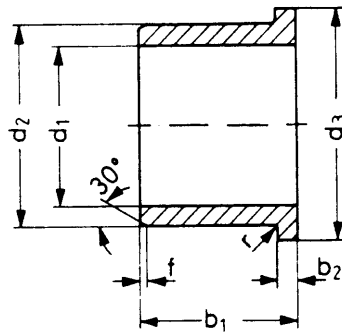
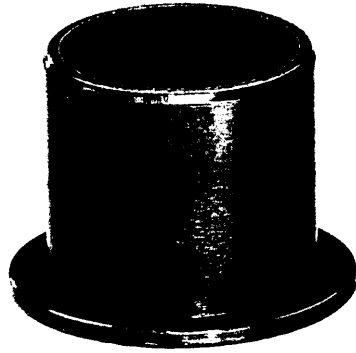


iglidur® G – Flange Bearing, mm

703 6759



$f = 0.5 \rightarrow d_1 \leq 10$
 $f = 0.8 \rightarrow 10 < d_1 \leq 30$
 $f = 1.2 \rightarrow d_1 > 32$

Structure of the Part Number:
(Data in mm)

GFM-0304-02

GFM - 0304 - 02
 | | | |
 Material Type Metric dimension

Dimensions according to DIN 1494 and special dimensions

| Part Number | d1 ¹⁾ after Pressfit in $\varnothing H7$ | d1-Tolerance | d2 | d3 | b1 | b2 |
|---------------|--|---------------|------|------|------|------|
| GFM-0304-02 | 3.0 | +0.014 +0.054 | 4.5 | 7.5 | 2.0 | 0.75 |
| GFM-0304-0275 | 3.0 | +0.014 +0.054 | 4.5 | 7.5 | 2.7 | 0.75 |
| GFM-0304-03 | 3.0 | +0.014 +0.054 | 4.5 | 7.5 | 3.0 | 0.75 |
| GFM-0304-05 | 3.0 | +0.014 +0.054 | 4.5 | 7.5 | 5.0 | 0.75 |
| GFM-0405-03 | 4.0 | +0.020 +0.068 | 5.5 | 9.5 | 3.0 | 0.75 |
| GFM-0405-04 | 4.0 | +0.020 +0.068 | 5.5 | 9.5 | 4.0 | 0.75 |
| GFM-0405-06 | 4.0 | +0.020 +0.068 | 5.5 | 9.5 | 6.0 | 0.75 |
| GFM-0506-035 | 5.0 | +0.010 +0.040 | 6.0 | 10.0 | 3.5 | 0.5 |
| GFM-0506-04 | 5.0 | +0.010 +0.040 | 6.0 | 10.0 | 4.0 | 0.5 |
| GFM-0506-05 | 5.0 | +0.010 +0.040 | 6.0 | 10.0 | 5.0 | 0.5 |
| GFM-0506-06 | 5.0 | +0.010 +0.040 | 6.0 | 10.0 | 6.0 | 0.5 |
| GFM-0506-15 | 5.0 | +0.010 +0.040 | 6.0 | 10.0 | 15.0 | 0.5 |
| GFM-0507-03 | 5.0 | +0.020 +0.068 | 7.0 | 11.0 | 3.0 | 1.0 |
| GFM-0507-04 | 5.0 | +0.020 +0.068 | 7.0 | 11.0 | 4.0 | 1.0 |
| GFM-0507-05 | 5.0 | +0.020 +0.068 | 7.0 | 11.0 | 5.0 | 1.0 |
| GFM-0507-30 | 5.0 | +0.020 +0.068 | 7.0 | 11.0 | 30.0 | 1.0 |
| GFM-050709-05 | 5.0 | +0.020 +0.068 | 7.0 | 9.0 | 5.0 | 1.0 |
| GFM-0607-06 | 6.0 | +0.010 +0.040 | 7.0 | 11.0 | 6.0 | 0.5 |
| GFM-0607-10 | 6.0 | +0.010 +0.040 | 7.0 | 11.0 | 10.0 | 0.5 |
| GFM-0608-04 | 6.0 | +0.020 +0.068 | 8.0 | 12.0 | 4.0 | 1.0 |
| GFM-0608-048 | 6.0 | +0.020 +0.068 | 8.0 | 12.0 | 4.8 | 1.0 |
| GFM-0608-05 | 6.0 | +0.020 +0.068 | 8.0 | 12.0 | 5.0 | 1.0 |
| GFM-0608-06 | 6.0 | +0.020 +0.068 | 8.0 | 12.0 | 6.0 | 1.0 |
| GFM-0608-08 | 6.0 | +0.020 +0.068 | 8.0 | 12.0 | 8.0 | 1.0 |
| GFM-0608-10 | 6.0 | +0.020 +0.068 | 8.0 | 12.0 | 10.0 | 1.0 |
| GFM-060814-12 | 6.0 | +0.020 +0.068 | 8.0 | 14.0 | 12.0 | 1.0 |
| GFM-0708-03 | 7.0 | +0.013 +0.049 | 8.0 | 12.0 | 3.0 | 0.5 |
| GFM-0708-08 | 7.0 | +0.013 +0.049 | 8.0 | 12.0 | 8.0 | 0.5 |
| GFM-0709-06 | 7.0 | +0.025 +0.083 | 9.0 | 15.0 | 6.0 | 1.0 |
| GFM-0709-10 | 7.0 | +0.025 +0.083 | 9.0 | 15.0 | 10.0 | 1.0 |
| GFM-0709-12 | 7.0 | +0.025 +0.083 | 9.0 | 15.0 | 12.0 | 1.0 |
| GFM-0809-08 | 8.0 | +0.013 +0.049 | 9.0 | 15.0 | 8.0 | 0.5 |
| GFM-0810-02 | 8.0 | +0.025 +0.083 | 10.0 | 15.0 | 2.0 | 1.0 |
| GFM-0810-03 | 8.0 | +0.025 +0.083 | 10.0 | 15.0 | 3.0 | 1.0 |
| GFM-0810-04 | 8.0 | +0.025 +0.083 | 10.0 | 15.0 | 4.0 | 1.0 |
| GFM-0810-05 | 8.0 | +0.025 +0.083 | 10.0 | 15.0 | 5.5 | 1.0 |
| GFM-0810-07 | 8.0 | +0.025 +0.083 | 10.0 | 15.0 | 7.5 | 1.0 |
| GFM-0810-09 | 8.0 | +0.025 +0.083 | 10.0 | 15.0 | 9.5 | 1.0 |
| GFM-0810-10 | 8.0 | +0.025 +0.083 | 10.0 | 15.0 | 10.0 | 1.0 |

iglidur® G – Type F

mm

Phone +49 - 22 03 96 49 - 0
 Fax +49 - 22 03 96 49 - 334

